

ECOUSTIC® FOLIAR



unika vaev
INSTYLE

Hear yourself think®

ECOUSTIC® COLORS

ecoustic® Foliar Leaf



AQUA



AUBERGINE



BALTIC



BERRY



CAMEO



CAPER



CHARCOAL



COBALT



CREAM



DOVE



FIELD



FOSSIL



FRESCO



GREEN



INDIGO



JET



LEMON



LIGHT GREY



LIME



NATURAL



NAUTICAL



OATMEAL



OPAL



ORANGE



OYSTER



PAPRIKA



PEWTER



QUARTZ



RED



SKY



SPRAY



TAUPE



WHITE



YELLOW

ecoustic® Foliar Base



CLEAR



LIMESTONE



PAVEMENT



PUMICE



SHALE

Patterns shown are not to scale
Product may vary in color due to the nature of the media
Please refer to website for current color range

ecoustic® global leaders
by INSTYLE in acoustic
products

ECOUSTIC® FOLIAR

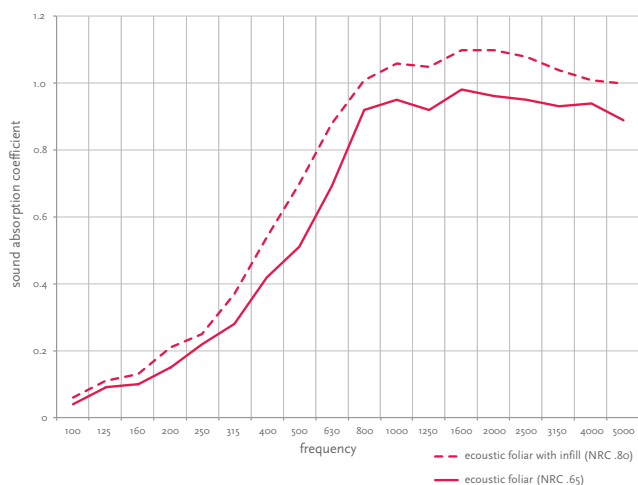


CONTENT 100% PET (up to 23% recycled content)

DIMENSIONS (w) 19.7" x (h) 17.5" x (d) 2.2"
(501mm x 445mm x 55mm)

APPLICATION Wall, Ceiling (must be glued or screwed)

ACOUSTIC NRC: .65
AS/ISO 354 NRC: .80 (with Infill)



LIGHTFASTNESS
ISO 105-B02

FIRE RATINGS
AS/NZS 3837
GB 8624 2012
ISO 5660.1

DESCRIPTION ecoustic® Foliar is a versatile, striking and dynamic wall feature design that has been inspired by the tessellating cellular structures found in nature. Individual tiles can be installed as endless organic formations that build formations of positive and negative space.

UNIKAVAEV.COM
800-237-1625

BENEFITS

Lightweight, Easy to Handle + Install: ecoustic® Foliar is a modular tile that is easy to install and re-install. Screw the base tile directly to your wall and then snap on the top tile. The design can be easily extended at a later stage.

Designed for the Environment: ecoustic® Foliar Leaf is made with up to 23% recycled content. ecoustic® Foliar Leaf is designed for disassembly and is recyclable. All components are able to be fixed without the use of adhesives. ecoustic® Foliar Leaf is low VOC + Greentag Level A certified.

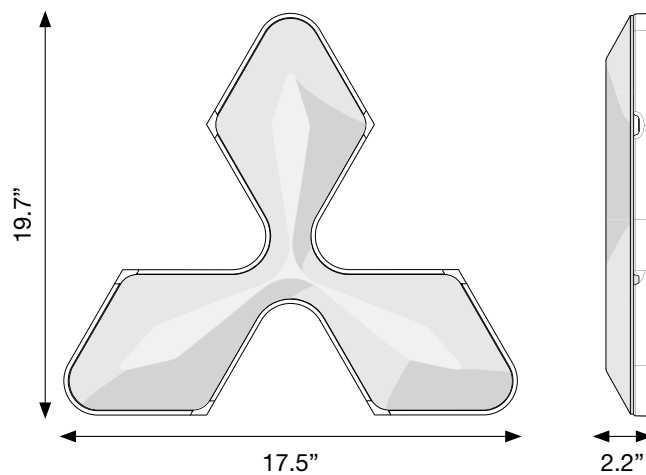
Building Rating Systems: ecoustic® Foliar Leaf will contribute the following points for Green Star, LEED and WELL building standards.

| Criteria | Green Star | LEED | WELL |
|--|------------|------|------|
| Recycled Content | Yes | Yes | NA |
| Low-VOC | Yes | Yes | Yes |
| Recycling Program | Yes | Yes | NA |
| EPD | Yes | Yes | NA |
| Third Party Greentag Level A Certification | Yes | Yes | Yes |
| Toxic Material Reduction | NA | NA | Yes |
| Sound Reducing Surface | NA | NA | Yes |

Please contact Unika vaev Customer Service for CAD Files

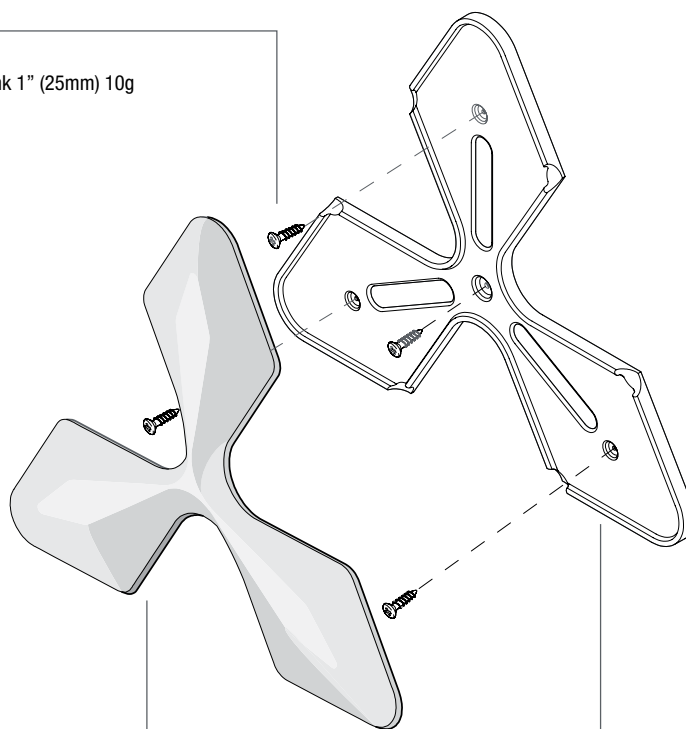
ecoustic® global leaders
by INSTYLE in acoustic
products

ECOUSTIC® FOLIAR COMPONENTS



Screws

Flat-head c/sunk 1" (25mm) 10g
[4 per tile]
Not supplied



ecoustic® Foliar Leaf

100% polyester (up to 23% recycled content)
5 tiles per box in a single color

Foliar Base

100% polycarbonate
5 tiles per box in a single color