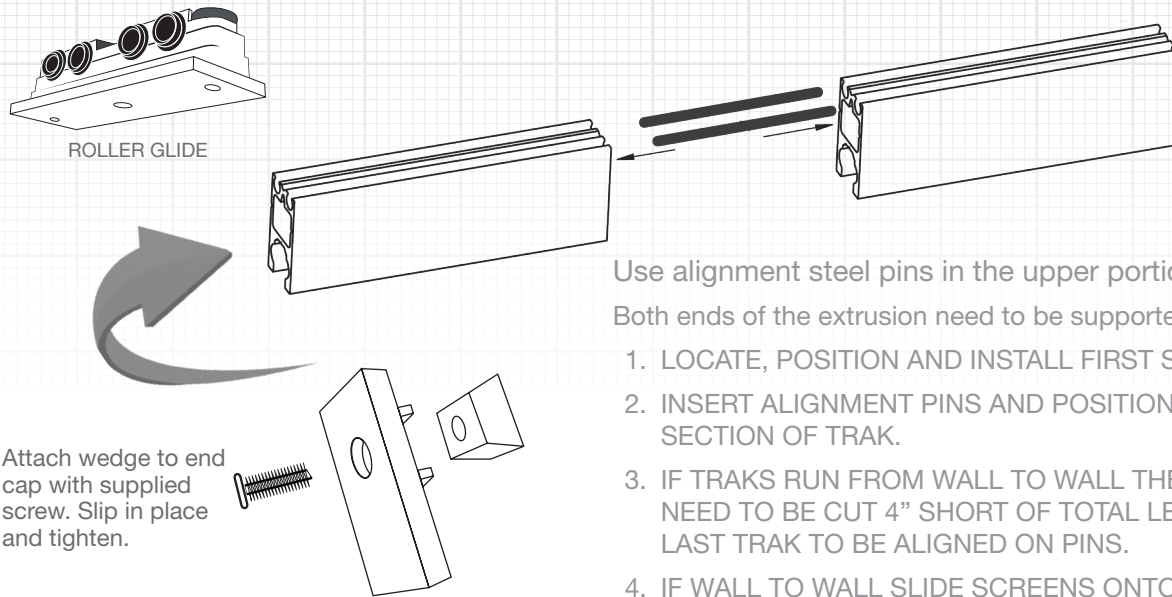


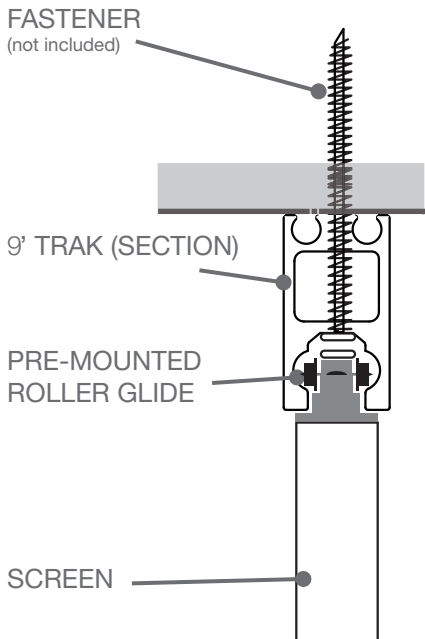
MOUNT TO CEILING, BEAMS, JOISTS, PARTITIONS, ETC.
(FASTENERS BY INSTALLER)



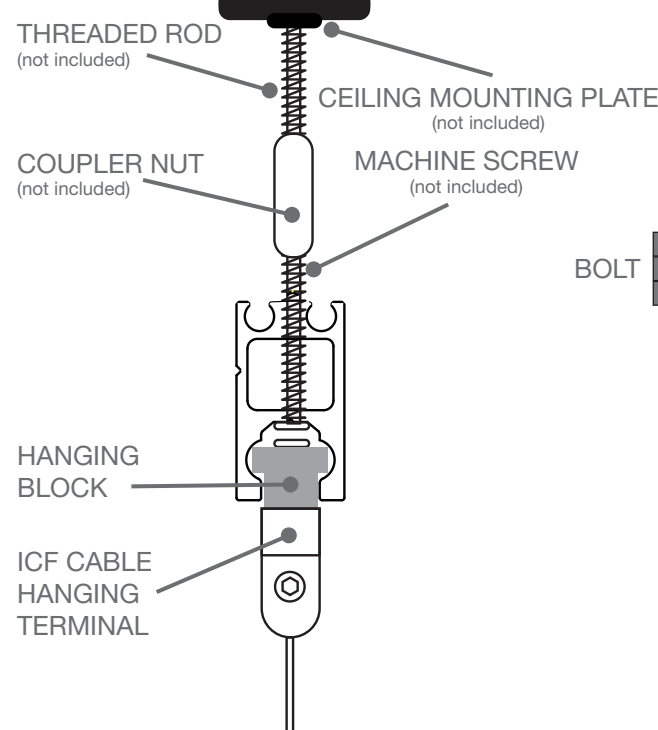
Use alignment steel pins in the upper portion of the extrusion. Both ends of the extrusion need to be supported when installing.

1. LOCATE, POSITION AND INSTALL FIRST SECTION OF TRAK.
2. INSERT ALIGNMENT PINS AND POSITION / INSTALL NEXT SECTION OF TRAK.
3. IF TRAKS RUN FROM WALL TO WALL THE LAST TRAK WILL NEED TO BE CUT 4" SHORT OF TOTAL LENGTH TO ALLOW LAST TRAK TO BE ALIGNED ON PINS.
4. IF WALL TO WALL SLIDE SCREENS ONTO TRAK PRIOR TO LAST SECTION BEING INSTALLED.

CEILING MOUNT



THREADED ROD MOUNT



WALL MOUNT

