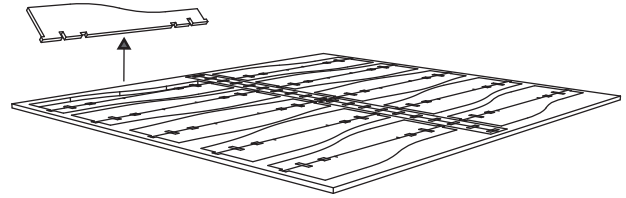


## ecoustic Sculpt<sup>01=2</sup> Ceiling Tile Installation and Care Instructions

### Linear Tiles

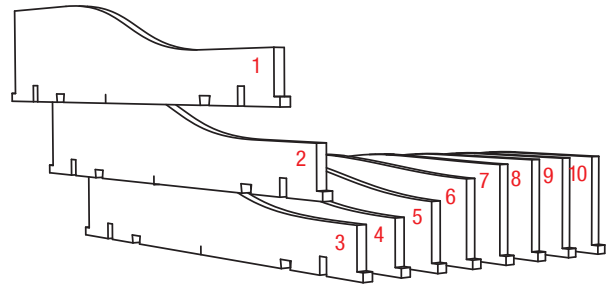
#### STEP 1

Remove components from their protective surround wrapping.



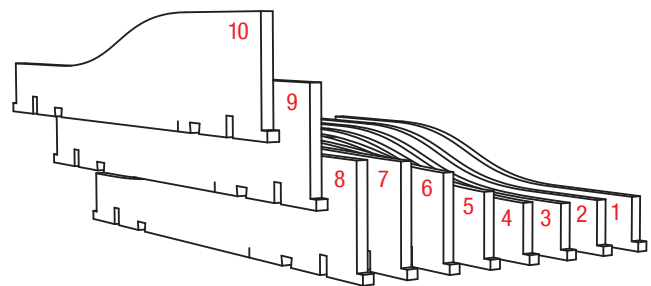
#### STEP 2

Arrange the profiles in sequence using the removable numbers and letters applied to each profile.



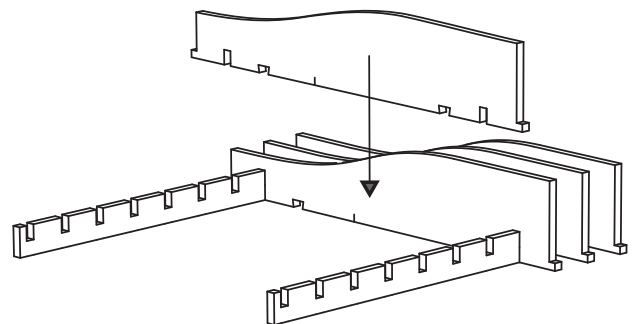
#### Please Note

To achieve a mirrored pattern, the order of sequence **MUST BE REVERSED** on the tiles as required for proper result.



#### STEP 3

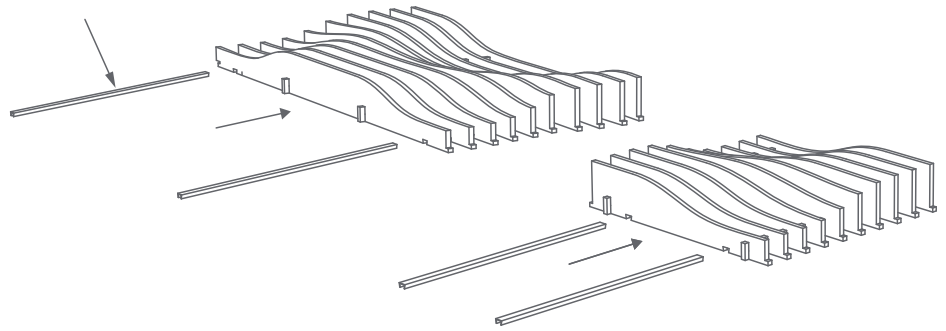
Push the ten profiles into the two combs



PLEASE NOTE: Depending on the Sculpt design, comb and rail positions may vary.

#### STEP 4

Slide the two aluminum rails through all ten profiles using the slots provided.



#### STEP 5

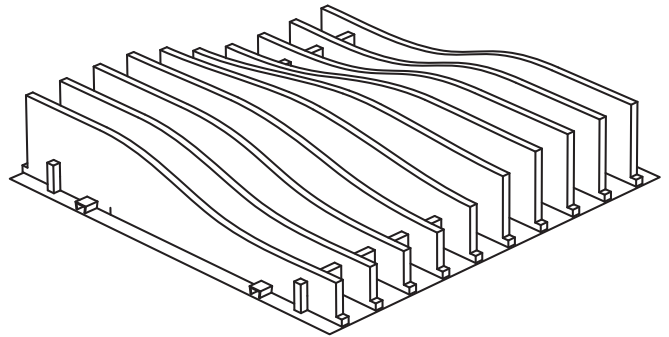
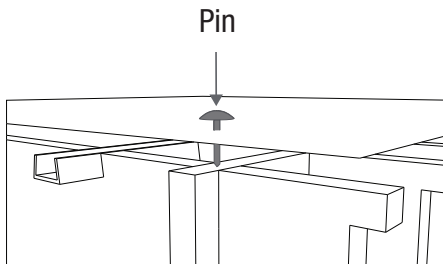
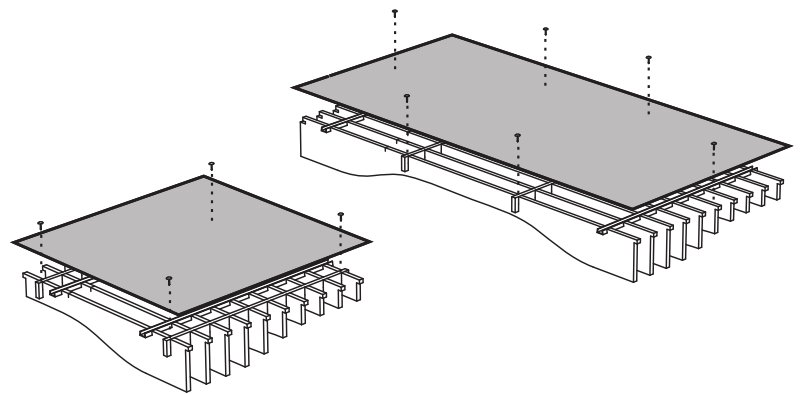
Remove labels

#### STEP 6

Sound Screen Mesh

Turn assembly over and attach the sound screen mesh to the back of the tile using the pins provided.

(NOTE: Each pin should be placed at the intersection of two profiles where possible).



#### Contents Of Box

- 4' x 2' Tiles 4
- 2' x 2' Tiles 8
- Sound Screens 4 or 8
- Aluminum Rails 8 or 16
- Pins 24 or 32

\* Totals will depend on tile size



## Care Instructions

### Please Note:

Consideration must be given to any possible effect of the cleaning regime on the underlying glue or backing board. It is recommended that spot cleaning only is used and that it is carried out by a professional cleaner.

### Regular Care:

- Protect from direct heat and sunlight.
- To prevent dust build up, lightly dust with a soft cloth or vacuum with a soft brush attachment.

### Spot Cleaning:

- Professional cleaning is always recommended.
- Always test any cleaning products on an inconspicuous area prior to commencing cleaning.
- Blot any excess spills from the material with a dry clean sponge or cloth.
- Treat all stains and spills as soon as possible.
- Most marks can be spot cleaned by lightly wetting the affected area with a mild detergent and warm water solution.
- Do not saturate the panel, screen or felt.
- Do not scrub or abrade the fabric as this will affect the surface finish.
- Once the stain or mark has been loosened then blot the excess solution out with a dry clean cloth.
- Sponge afterwards with clean warm water and mop any excess moisture with a dry clean sponge or cloth.
- The fabric can also be spot cleaned with dry cleaning fluid. Lightly sponge a small amount of dry cleaning fluid and blot.
- Dry away from direct heat and sunlight.
- Avoid the use carpet shampoos.