

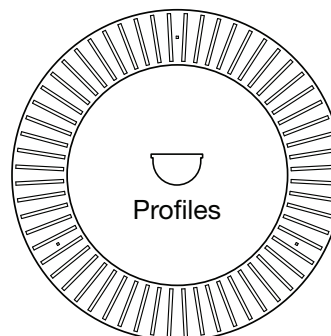
# ECOUSTIC® TANGO INSTALLATION GUIDE



**unika vaev**  
—  
INSTYLE

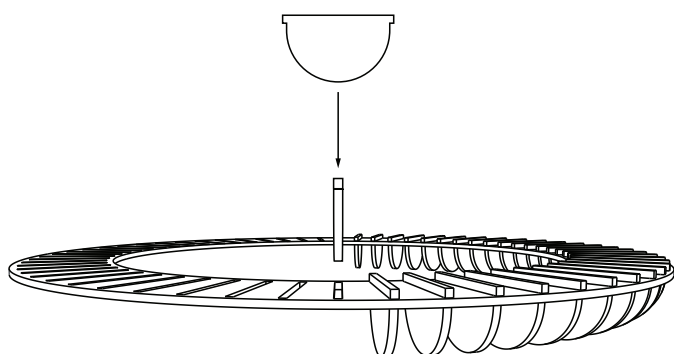
Hear yourself think®

## ecoustic® Tango Installation

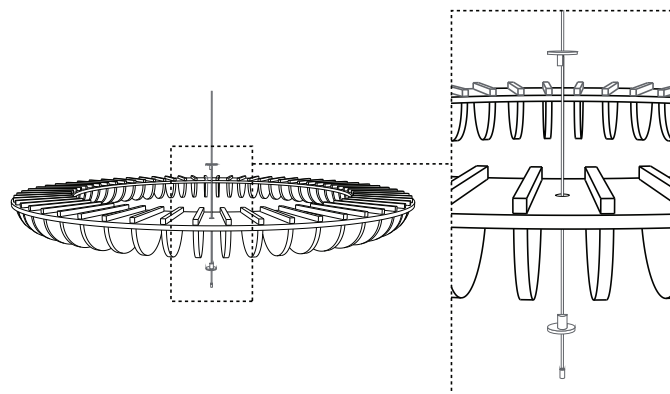


Tango Panel

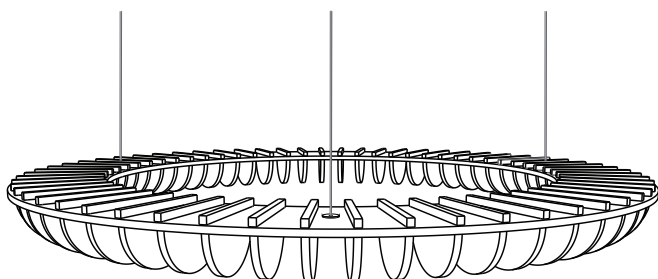
Remove Tango panel and Tango profiles from their protective surround.



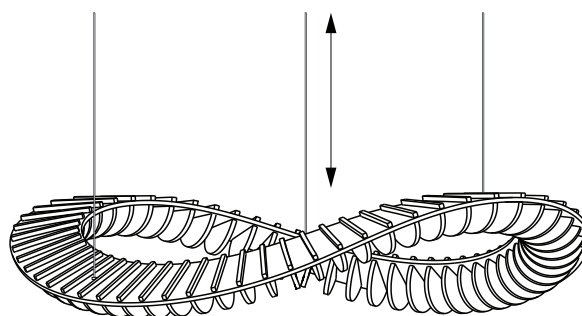
Insert profiles into the panel through the dedicated slots provided.



Insert suspension cable from below, through lower escutcheon, then through dedicated panel suspension hole, then through upper escutcheon, before attaching to ceiling suspension fixture.



Repeat process for all suspension points and secure cable supports to intended building surface (e.g. internal ceiling), via suitable fasteners. Tango profiles should always be directed downward toward the floor.



Adjust cables to desired length via squeeze clutch within cable support and remove excess cable. Different suspension cable lengths will create unique movements & visual forms of Tango.