

OCTAVE BAFFLE



unika vaev

design studio

Hear yourself think®

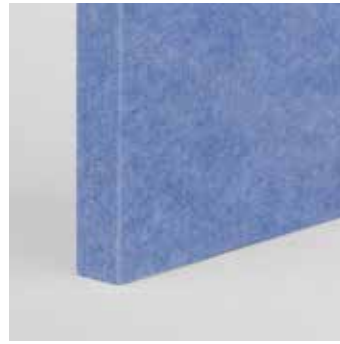
OCTAVE COLORS



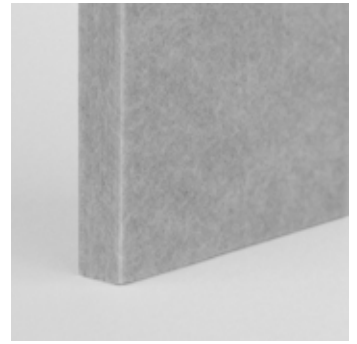
ALMOND



ARIZONA



BLUEBELL



COOL



DENIM



FAWN



GALAXY



HORIZON



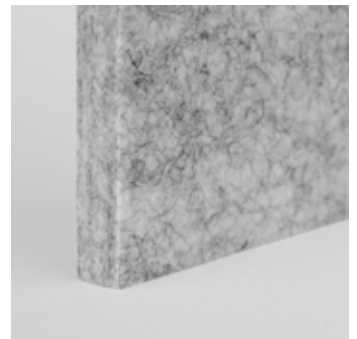
IRIS



LEAF



OLIVE



OXIDE



SNOWDROP



TUNGSTEN

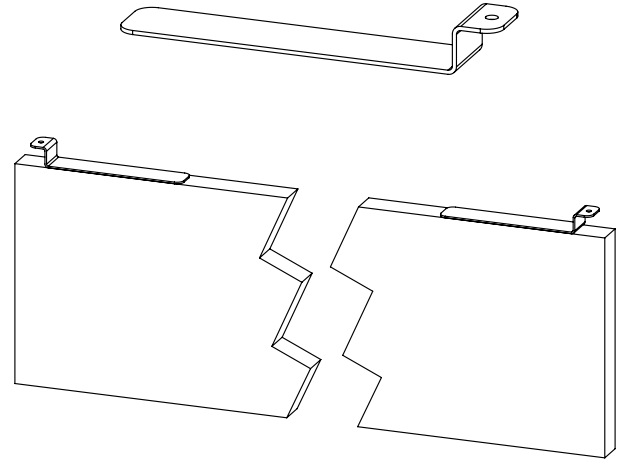


VENUS

Patterns shown are not to scale
Product may vary in color due to the nature of the media
Please refer to website for current color range

unika vaev
design studio

OCTAVE BAFFLE



Preinstalled T-Clip™ is patent-pending

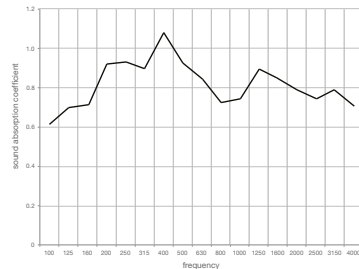
CONTENT	100% PET
THICKNESS	0.47" (12mm)
DIMENSIONS	UniStrut mount: 96" x 15" (2439mm x 381mm) Suspension Grid mount: 96" x 16" (2439mm x 406mm) * (4) total baffle fins: 15" or 16" H x 96" L ** (8) spacing inserts: 1.375" x 12" *** Mushroom glides are included with Suspension Mount option.

FLAMMABILITY

ASTM E84	Class A
AS/NZS 1530.3	
CAN ULC S102	

ACOUSTIC

NRC - 0.85



APPLICATION

Ceiling

DESCRIPTION

The Octave Baffle system is designed for universal mounting options, which includes the Unika Vaev Grid Suspension system as well as a wide range of installer supplied rail systems. Available in 15 color-ways and a variety of design options, Baffles provide flexibility in acoustic performance and aesthetics.

Universal Installation: Octave is designed to be mounted universally on any type of suspension systems. Unika Vaev offers a Suspension Grid System fully capable of mounting Octave into.

Sound Absorptive: Baffles come in various shapes and sizes. NRC ratings are contingent upon depth of and spacing between baffles.

Designed for the Environment: Easy to disassemble and separate into the appropriate recycling systems, Octave is made of 100% PET and can be recycled.

- Mindful MATERIALS
- SO 14001-certified Environmental Management System
- Solid Core panels used to produce ecoustic® Baffle are Cradle to Cradle - Bronze certified
- Cal 01350 Compliant
- Low-VOC
- Declare CDHP Emissions Compliant
- HHI Compliant
- HPD
- Oeko-Tex Compliant
- Prop 65 Compliant

Mounting option: Suspension Grid (sold separately), or with our patent-pending T-Clip™ which allows for ease of installation. T-Clip™ diagram above.

