

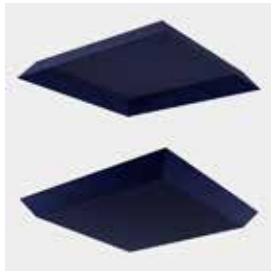
# COFFERED CEILING TILES



**unika vaev**  
design studio

Hear yourself think®

# COFFERED CEILING TILES COLORS



DARK BLUE



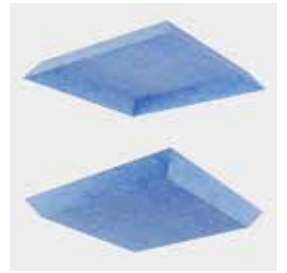
DARKEST GREY



DARK GREY



GREEN



LIGHT BLUE



LIGHT BROWN



LIGHTEST GREY



LIGHT GREY



MEDIUM GREY



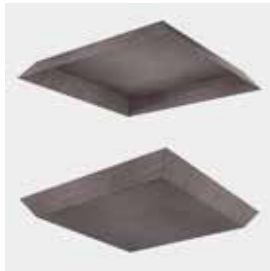
RED



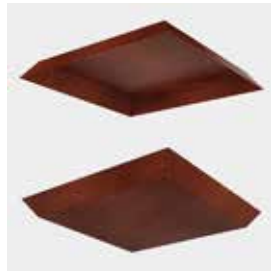
YELLOW



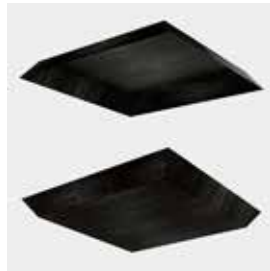
ASH



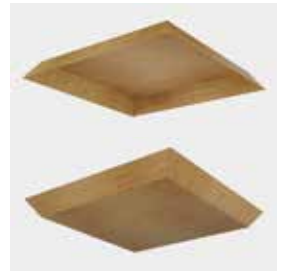
BARNWOOD



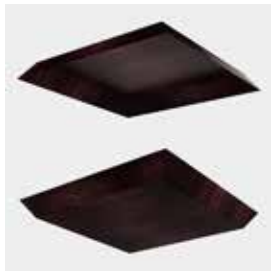
CHERRY



EBONY



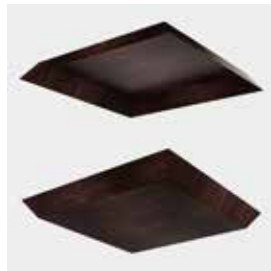
OAK



PADOUK

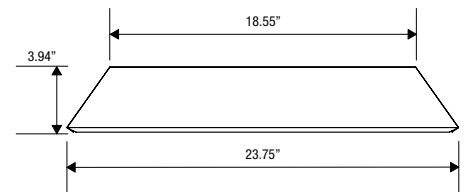
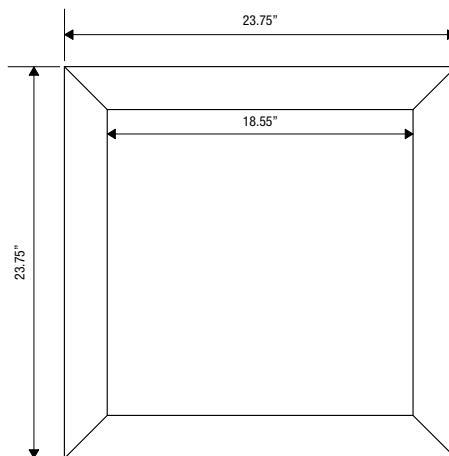
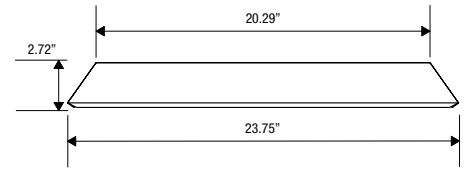
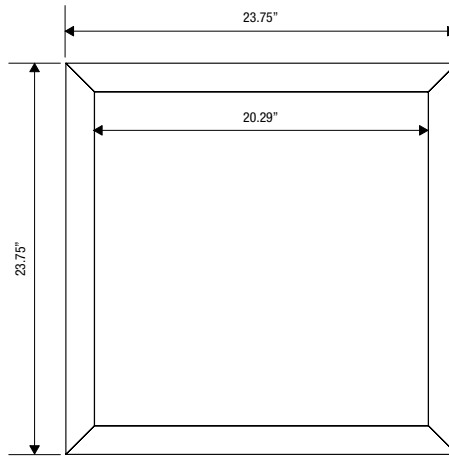
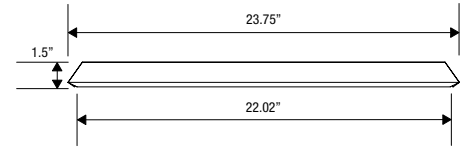
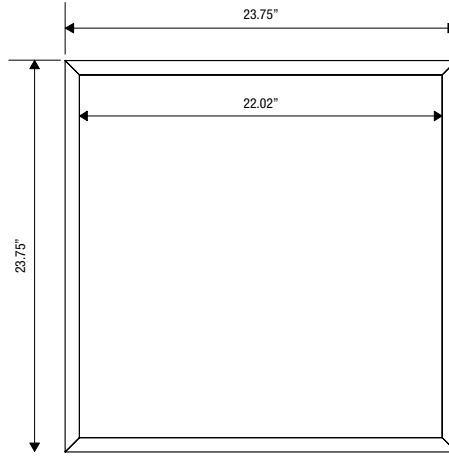


PECAN

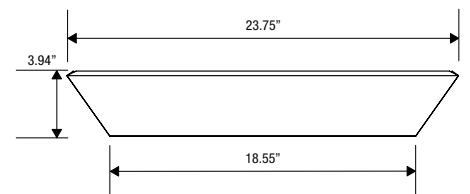
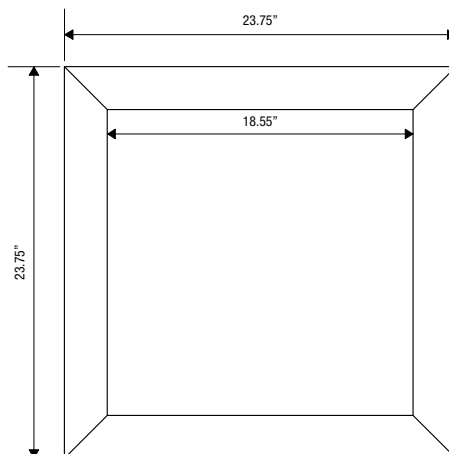
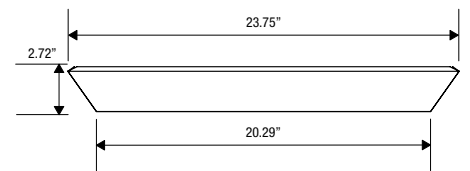
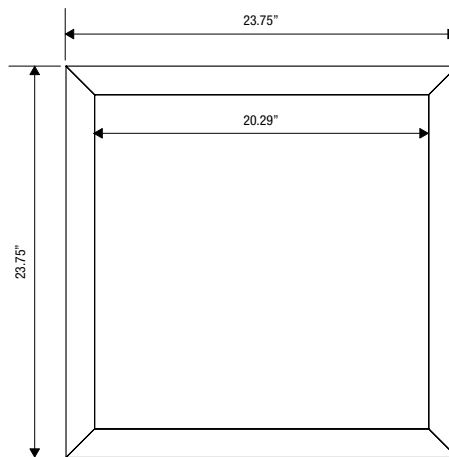
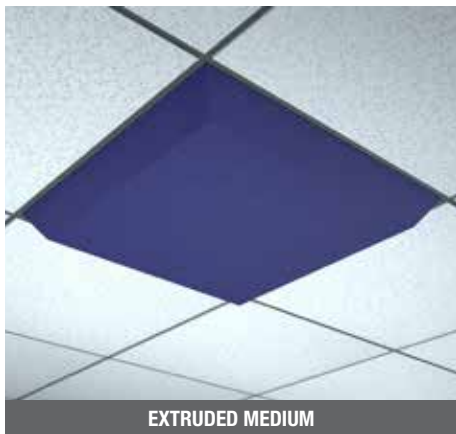
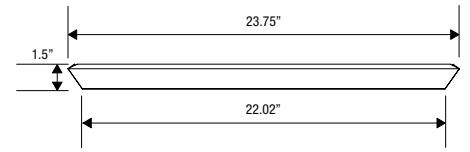
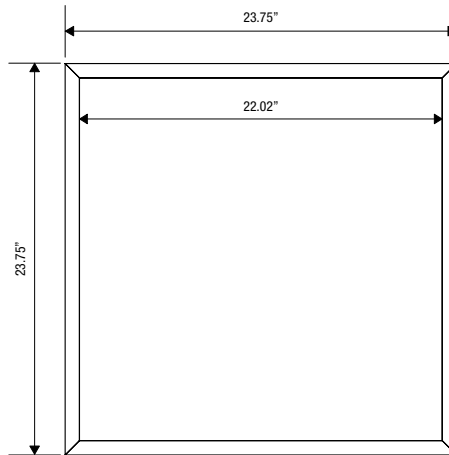


WALNUT

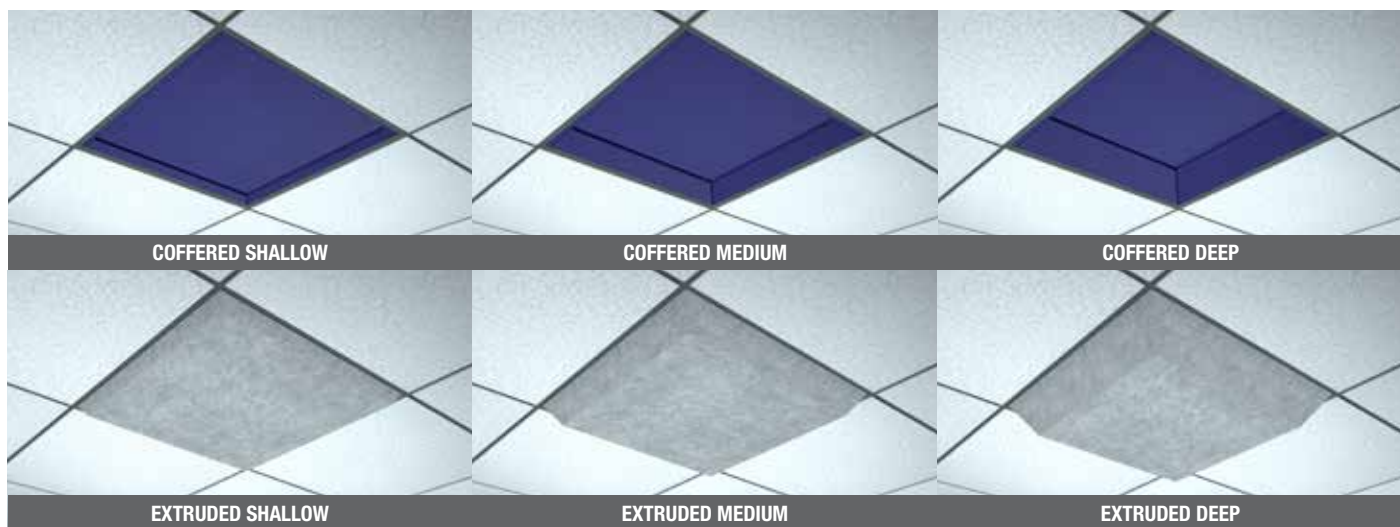
# COFFERED CEILING TILES - INVERTED DIMENSIONS



# COFFERED CEILING TILES - EXTRUDED DIMENSIONS



# COFFERED CEILING TILES



**PRODUCT** Coffered Ceiling Tile Collection

**DESIGNER** Unika Vaev Design Studio

**CONTENT** 100% PET

**DIMENSIONS**

Coffered Shallow	(w) 23.75" x (h) 23.75" x (d) 1.5"
Coffered Medium	(w) 23.75" x (h) 23.75" x (d) 2.72"
Coffered Deep	(w) 23.75" x (h) 23.75" x (d) 3.94"
Extruded Shallow	(w) 23.75" x (h) 23.75" x (d) 1.5"
Extruded Medium	(w) 23.75" x (h) 23.75" x (d) 2.72"
Extruded Deep	(w) 23.75" x (h) 23.75" x (d) 3.94"

**FIRE RATINGS**

ASTM E84 Class A  
CAN ULC S102

**ACOUSTIC**

NRC- 0.85 (8" air gap) *NRC results are from the material used to produce tiles*

**APPLICATION**

Ceiling (compatible with all standard 2' ceiling grids)

**DESCRIPTION**

The Coffered Ceiling Tiles Collection has been designed to provide an elegant sound absorbing solution. The square 24" x 24" tiles are available in three depth options and 11 color-ways of Solid Color Core. The tiles can be installed as a traditional coffered tile or can be reversed to hang below the ceiling to create dramatic visual elements.

**Environment**

- No VOCs
- California 01350 Emissions Compliant
- HPD
- HHI Compliant
- Prop 65 Compliant
- Rapidly renewable content
- No post-consumer content contributes to LEED MR Credit 4 recycled content
- Published with mindful MATERIALS

**Additional Information**

- Compatible with all standard 2' x 2' ceiling grids
- Custom 2' x 4' options are available, pricing is contingent on specifications
- Tiles install very quickly and are designed to be moved from location to location with ease
- Colors and depts cannot be mixed within a box set
- Tiles are 'coffered' or 'extruded', in three versions of each style

**Declare.**

**Healthier Hospitals**

**OEKO-TEX®**  
CONFIDENCE IN TEXTILES  
**STANDARD 100**

